

TEC

TEC Electronic Computing Scale

SL21-N SERIES

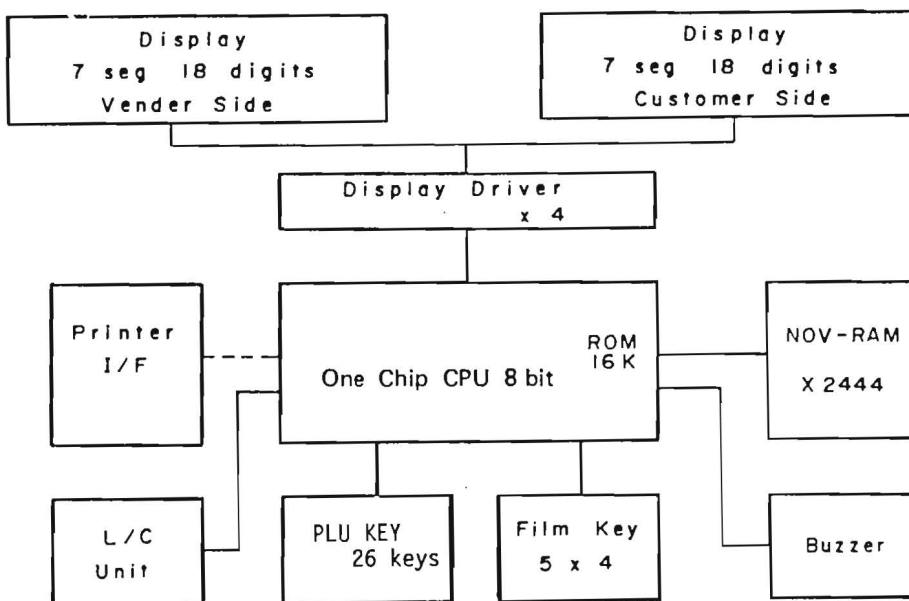
Schematic Diagram

Document No. EM7-31007

Original Apr., 1990

(Revised)

NOTE: Manual is 21 pages in length, TOC missing.



WIRING DIAGRAM

MODEL: **SL-21-N**
 SECTION: 1
 PART:
 PWB NO.:

ORIGINAL: **APR., 1990**
 REVISED:

< APPLICATION >
SL21-N

This is a “Table of Contents preview” for quality assurance

The full manual can be purchased from our store:

<https://the-checkout-tech.com/manuals/TEC/SL-21> schematic diagrams and circuit desc

And our free Online Keysheet maker:

<https://the-checkout-tech.com/Cash-Register-Keysheet-Creator/>

[HTTPS://THE-CHECKOUT-TECH.COM](https://THE-CHECKOUT-TECH.COM)